

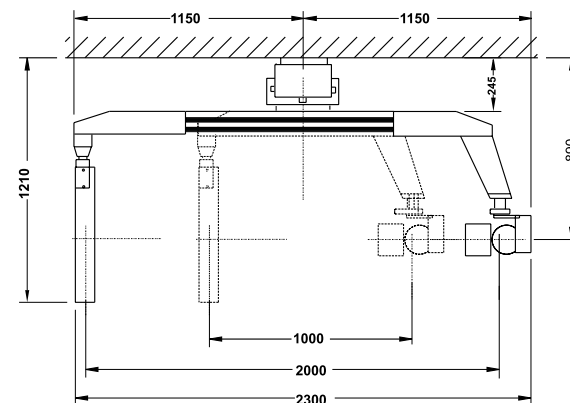
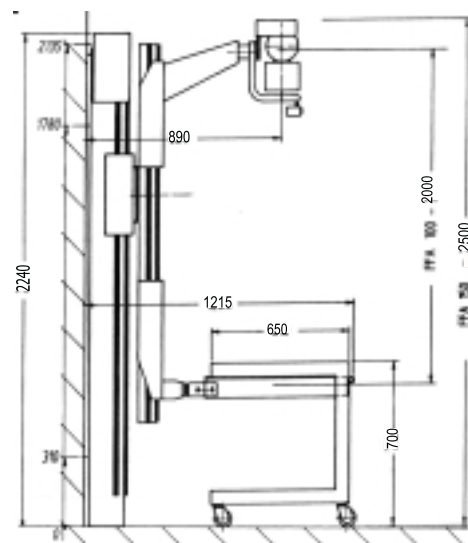
# Optima URS

The Universal Radiographic System

## SPECIFICATIONS

Basic unit	
Source-image distance (SID):	100-200 cm. continuously adjustable (manually)
Power supply	115, 220, 240, 400, 415, 440, 480 VAC; single phase, 400 VA
Dimensions (H x W x D)	2,500 mm x 2,300 mm x 1,215 mm
Main column	Sturdy wall and floor-mounted support column with counterbalanced swivel arm for effortless, accurate setting
Swivel arm	
Height adjustment	1,130 mm
Range of rotation	±135°
Brakes	Electromagnetic (24 V DC), and manual
Bucky unit	
Type	- with cassette holder and Bucky (max. cassette size: 35x43 cm) - ionization chamber (option) - range of tilt ±90° - flat locking rails for accessories
Grid	103 lines / Ratio 10:1 / f0 = 150 cm Other grids can be used if required
Generator	SEDECAL Compact X-ray generator (line powered / battery powered)
Tube assembly	X-Ray tube turnable 360° with angle digital reading and automatic locks at 0°, 90°, 180°, 270°
Diaphragm	Manual diaphragm with light field indicator and filter
Patient table	
Dimensions (L x W x H)	2,000 mm x 650 mm x 700 mm
Options	- Installation of Bucky on left or right side - Ionization chamber
Accessories	- Compression band device - Head support
Weights	- Net Weight: 260 kg - Gross Weight: 320 kg

Specifications subject to change without notice



In the United States, Canada and Mexico:

**SEDECAL USA**  
190 Shepard Avenue, Unit C  
Wheeling, Illinois 60090 - USA  
Tel: 1 (847) 215 - 7878  
Fax: 1 (847) 215 - 7999  
Email: sales@sedecalusa.com

In Europe, Asia, Latin America and all other countries:

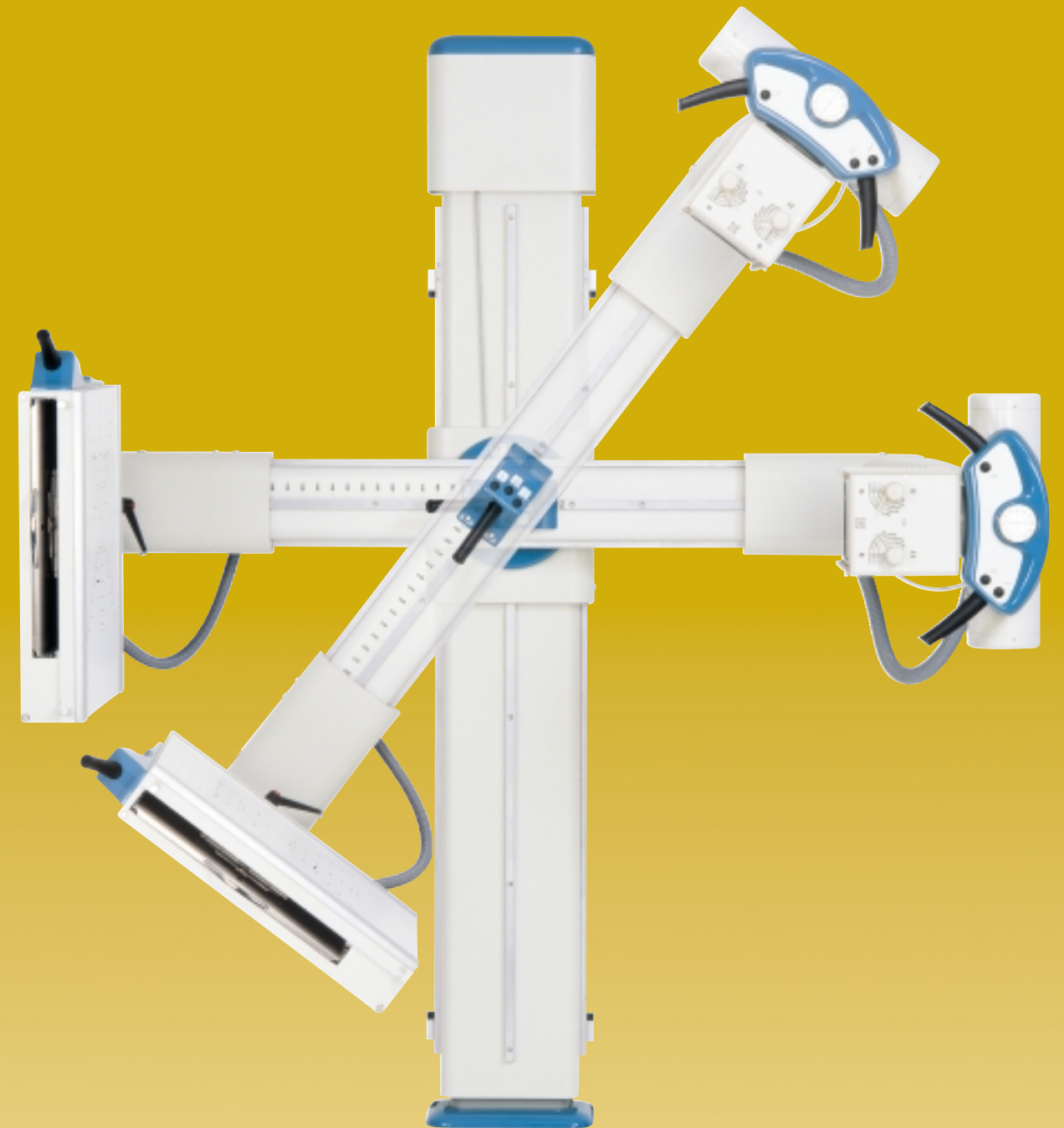
**SEDECAL**  
Pelaya, 9 - Polígono Industrial "Río de Janeiro"  
28110 - Algete (Madrid) - SPAIN - [www.sedecal.com](http://www.sedecal.com)  
**Central Offices:** Tel: (34) 91-628 0544 / 91-628 1592  
**Factory:** Tel: (34) 91-629 0721  
Fax: (34) 91-628 0574 Fax: (34) 91-



Printed in Spain

# Optima URS

Universal Radiographic System



## Optima URS

Optima URS is a universal swivel arm X-ray system. It is easy to operate and permits a swift radiographic procedure, a feature which applies to all conventional exposure techniques on all parts of the body.

The system is composed of a floor-to-wall column and a turnable arm with variable height centre. It allows to take exposures of patients in standing, sitting or laying position.

Owing to its compact design Optima URS is a low-cost radiography system which takes up little space and is quick to install.



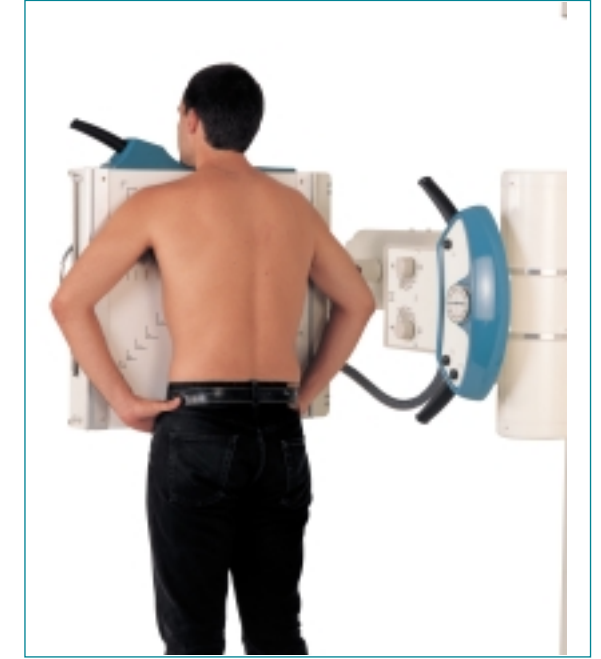
### Exposures of patient in the seated position

During all movements of the swivel arm, and when the Bucky unit is tilted, the radiation beam axis always remains aimed at the centre of the film. This simplifies making adjustments and speed up positioning. During exposure the patient adopts a comfortable, relaxed posture.



### Exposures of patients in the standing position

Owing to the large vertical movement of the swivel arm patients in the standing position can be examined from head to feet. The large SID of 2.0 m in conjunction with the short source-image distance allows images with optimum geometry. Frequent applications are, for example, exposures of the chest and extremities.



### Exposures of patients in the lying position

With the patient table the patient can be moved into any required position without the need for repositioning. Therefore Optima URS offers the same advantages as a Bucky radiography table with a floating table top.