

Table/Bucky

Table top dimensions:	220 cm x 80 cm
Height from floor:	75 cm
Table top composition:	Laminated structure (according to EN 438 standard)
Table top-to-film distance:	7.8 cm
Table top Al. equivalence:	< 0.8 mm Al. at 100 kVp
Table top weight limit:	200 kg
Table top movement:	Manual, 4-way floating top
Longitudinal travel:	110 cm
Transverse table top travel:	24 cm
Table locks:	Electromagnetic brakes
Table lock controls:	Full-length foot switch along table base
Table Bucky:	Super speed
Bucky travel:	51 cm
Total center-to-center	
Radiographic coverage:	161 cm
Grid:	40 lines/cm - 10:1 line ratio Focused at 100 cm
Cassette sizes:	All sizes from 18 to 43 cm either orientation

[Option \(Elevating Table\)](#)

Table top to floor:	Variable from 50 to 90 cm
Table top up/down movement:	Central foot switches along table base

Floor-Mounted Tubestand

Design:	Manual movement, with fully counter balanced horizontal tube arm
Longitudinal tube travel:	200 cm
Transverse tube travel:	30 cm, with detent at table center
Vertical tube travel:	162 cm
Focal spot-to-floor distance:	Variable from 40 to 202 cm
X-ray tube rotation:	+/-150° (detents at +90°, 0°, -90°)
Tubestand column rotation:	+/-180° (detents at +90°, 0°, -90°)
Locks:	Electromagnetic brakes
Tube arm console controls:	Longitudinal, transverse, vertical, and rotational lock control buttons
Tube arm console displays:	SID and tube angle around horizontal axis

[Option:](#) Motorized longitudinal travel

Collimator

Collimator type:	Manual (Multilayer, square field X ray collimator, 6 pairs of lead-lined shutters)
Field lamp:	100 W, 24 VAC
Lighting timer:	30 sec.
Average luminosity:	160 lx.
Alignment light:	lamp
Inherent filtration:	2.0 mm aluminum (EN 60601-1-3)
Retractable measuring tape	

[Option:](#) Automatic collimation with cassette size sensing tray.

Wall Bucky

Standard type:	Non-tilting Bucky
Bucky:	Super speed
Vertical Bucky travel:	150 cm (from 40 to 190 cm)
Vertical movement:	Manual, fully counterbalanced 43 cm film center-to-floor
Minimum distance:	40 cm
Cassette sizes:	All sizes from 18 to 43 cm, either orientation
Grid:	40 lines/cm - 10:1 - line ratio Focused at 150 cm
Bucky front	
Al. equivalence:	< 1 mm at 100 kVp
Locks:	electromagnetic brakes
Left or Right load	
Weight:	145 kg

Options

- **AEC**(Automatic Exposure Control)
Bucky ion chamber + Table ion chamber
- **Tomography**
Type: Mechanical linkage
Tomographic control location: Table side control panel
Fulcrum height: 0 - 25 cm. selectable in 1 mm increments
Tomographic SID: 110 cm
Tomographic controls: Fulcrum up/down, sweep angle and speed selections
Tomographic displays: Sweep angle, fulcrum height, slow/fast speed
Tomographic selections: from 8° to 40° in three steps configured during installation

Included Accessories

- Compression band
- Hand grips

Optional Accessories

- Pedestal Console
- Wall mounted Console
- Hands support
- External cassette holder 40x90 to 40x120
- Lateral cassette holder 18x24 to 35x43
- Head holder

X-ray TUBE

GENERATOR POWER OUTPUT	32kW; 40 kW	50kW; 64 kW
Tube Type:	Rotating Anode	Rotating Anode
Anode Voltage:	125 kVp	150 kVp
Speed starter:	3.000 r.p.m.	(3.000 / 9.000) r.p.m.
Focal spots:	0.6 - 1.5 mm	0.6 - 1.2 mm
Power ratings:		
Small Focal Spot:	16/18 kW - 50/60 Hz	27 kW
Large Focal Spot:	48/50 kW - 50/60 Hz	75 kW
Anode heat storage capacity:	200 KHU	300 KHU
Target angle:	14°	12°

High Frequency X-ray GENERATOR

POWER OUTPUT

	LINE POWERED	BATTERY POWERED
30 kW	N.A.	mA Range: 10 - 320 400 mA @ 75 kVp 320 mA @ 93 kVp 300 mA @ 100 kVp 250 mA @ 120 kVp 200 mA @ 150 kVp
32 kW	mA Range: 10 - 400 400 mA @ 80 kVp 320 mA @ 100 kVp 250 mA @ 128 kVp 200 mA @ 150 kVp	N.A.
40 kW	mA Range: 10 - 500 500 mA @ 80 kVp 400 mA @ 100 kVp 320 mA @ 125 kVp 250 mA @ 150 kVp	mA Range: 10 - 500 500 mA @ 80 kVp 400 mA @ 100 kVp 320 mA @ 125 kVp 250 mA @ 150 kVp
50 kW	mA Range: 10 - 640 640 mA @ 78 kVp 500 mA @ 100 kVp 400 mA @ 125 kVp 320 mA @ 150 kVp	mA Range: 10 - 640 640 mA @ 78 kVp 500 mA @ 100 kVp 400 mA @ 125 kVp 320 mA @ 150 kVp
64 kW	mA Range: 10 - 640 640 mA @ 100 kVp 500 mA @ 125 kVp 400 mA @ 150 kVp	N.A.

Line Voltage range (VAC) and Phases

	32 kW; 40 kW	50 kW; 64 kW
LINE POWERED	208 - 240 (1/3 ph.)	208 - 240 (3 phase)
Automatic Line Compensation	400 - 480 (3 phase) ± 10%	400 - 480 (3 phase) ± 10%
**BATTERY POWERED (Option) (Uninterruptible Power Supply) Automatic Line Compensation	110 - 230 VAC / 500 W (1 Phase) ± 15%	

Radiographic kVp range in 1 kVp steps Accuracy	40 - 125/150* ±(1%)
Exposure Time range Accuracy	0.001 - 10 seconds ±(1%)
mAs range	0.1 - 500 mAs (1)
Anatomical Programming	534 Anatomical Views

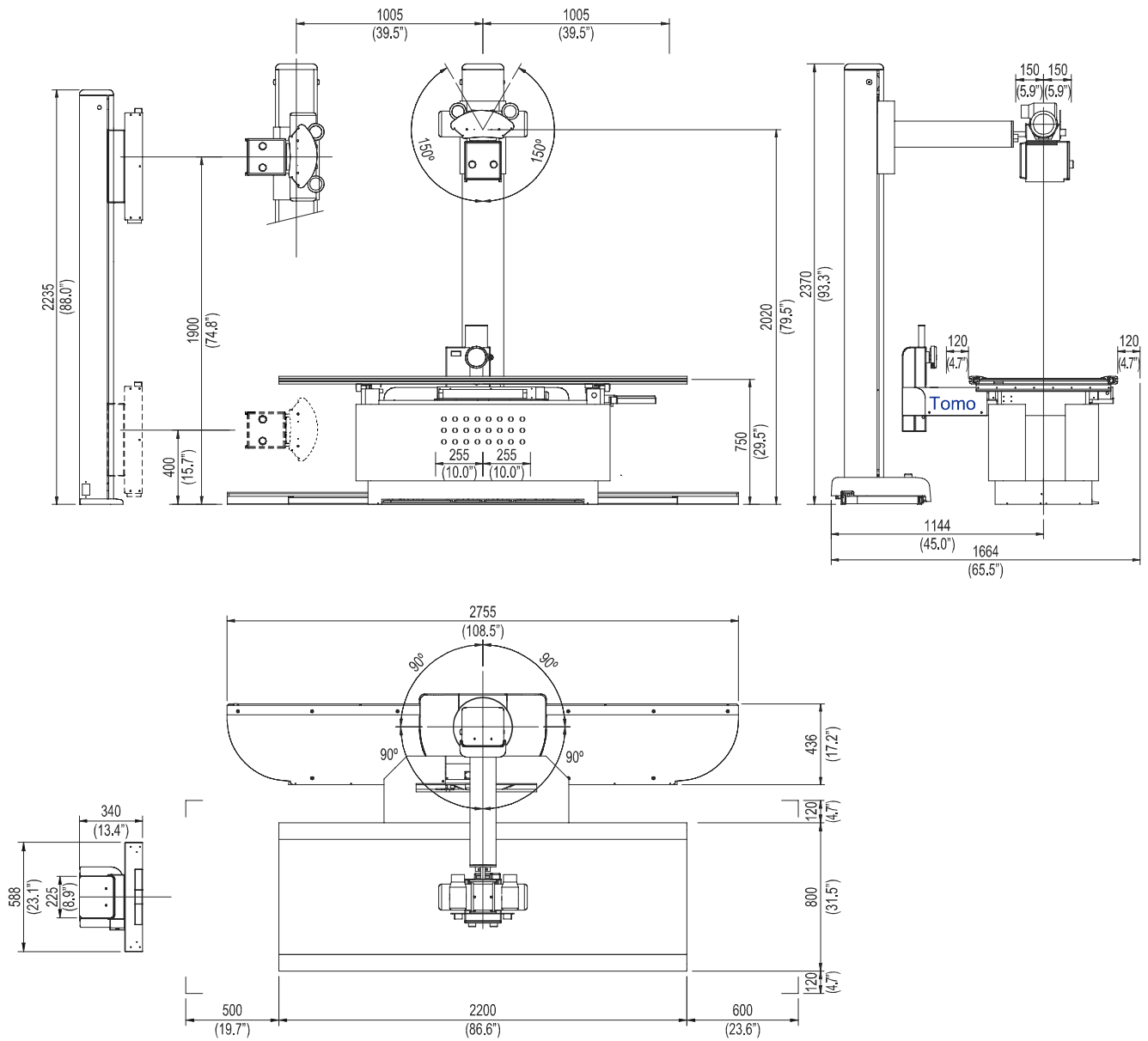
(1) 640 mAs UNDER REQUEST

OPTIONS

- * - X-ray Generator 125 to 150 kV upgrade
- ** - Battery Powered Generator (Uninterruptible Power Supply)
 - A.E.C. Automatic Exposure Control (2 Ion chambers)
 - Touch Screen Console
 - Pedestal Console
 - Wall mounted Console
 - Dose Area meter
 - Data Printer for Dose Area Meter

OPTIMA MILLENNIUM - *Non-Elevating Table*

DIMENSIONS



WEIGHTS

- Bucky Table: 160 kg
- Tube stand + floor rails base: 345 kg
- Bucky stand: 145 kg